

T10Z0513CS

VARI FOCAL 10X 5~50mm F1.3

for 1/3"format cameras

CS-Mount

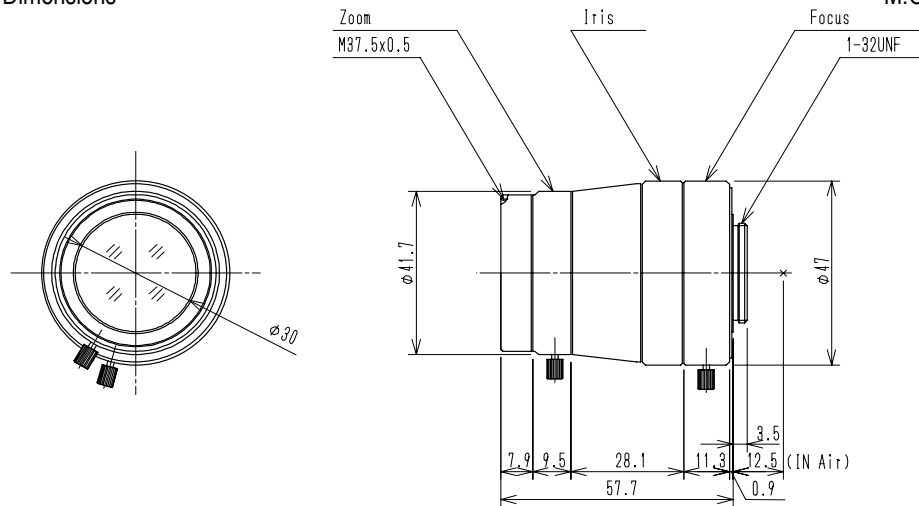
Model No.	T10Z0513CS		Effective	Front	φ29.5mm
Focal Length	5 ~ 50mm		Lens Aperture	Rear	φ 8.7mm
Max. Aperture Ratio	1 : 1.3		Back Focal Length	Tele	10.6mm
Max. Image Format	4.8 x 3.6mm (φ6mm)			Wide	10.5mm
Operation Range	Iris	F1.3 ~ C	Flange Back Length		12.5mm
	Focus	0.8m ~ Inf.	Mount		CS-Mount
	Zoom	5 ~ 50 mm	Filter Size		M37.5 P=0.5mm
Control	Iris	Manual	Dimensions		φ47 x 57.7mm
	Focus	Manual	Weight		150g
	Zoom	Manual			
Object Dimension at M.O.D.	5 mm	77.7 x 57cm			
	50 mm	7.8 x 6.0cm			
Angle of View	D	64~6.9°	1/4"	48.8~5.3°	
	H	51.8~5.6°		39.2~4.3°	
	V	39.2~4.3°		29.5~3.2°	
Operating Temperature	-20 ~ +50°C				

1/3

CS

Dimensions

M.O.D. : Minimum Object Distance



Z

SP